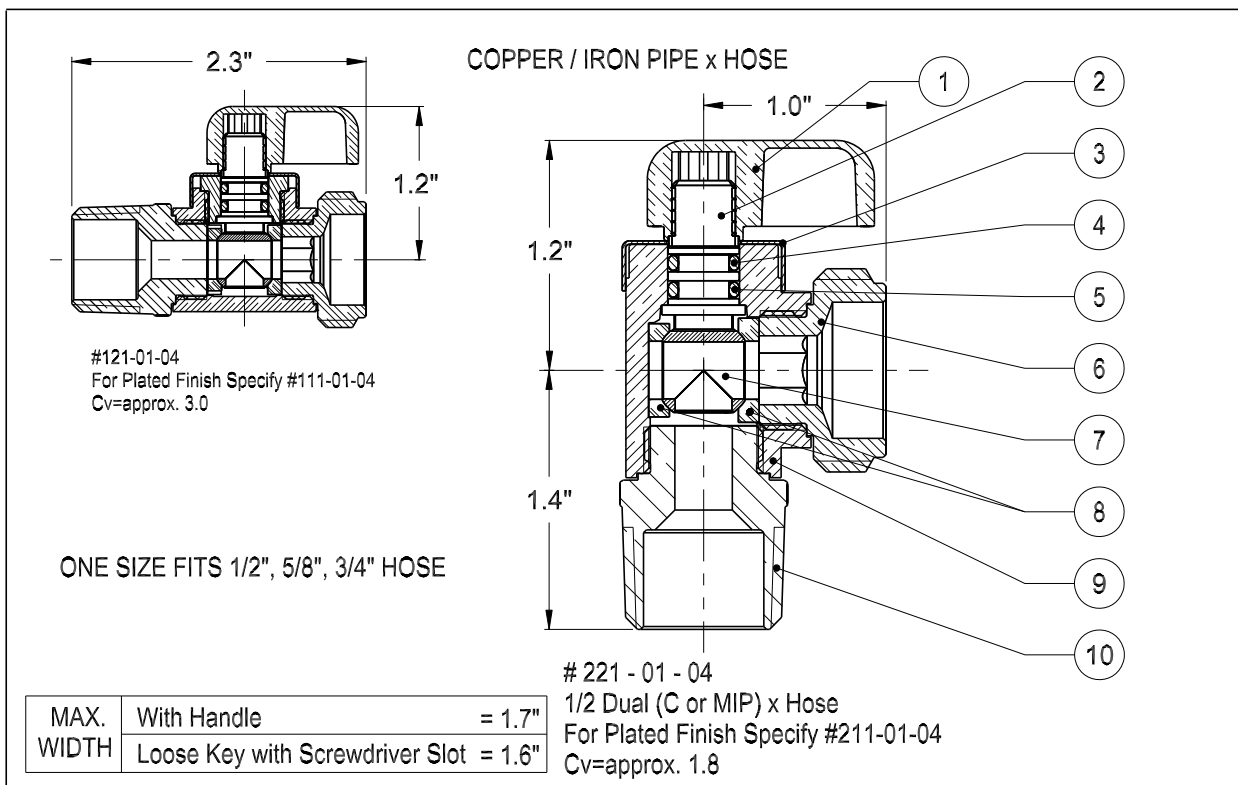


Dahl **mini-ball**™ Valve

Plumbing, Heating, Cooling - NOT FOR POTABLE



Text Below Represents Rough Brass Finish

- | | |
|--|--|
| <ul style="list-style-type: none"> 1. Handle - Nickel Plated Zinc 2. Spindle - Nickel Plated Brass 3. Handle Stop Cap - Brass 4. O-Ring - EPDM 5. O-Ring - Fluorocarbon (FKM) | <ul style="list-style-type: none"> 6. End - Hose - Brass 7. Ball - Plated Brass 8. Seals - PTFE 9. Body - Brass 10. End - 1/2 Dual (C or MIP) - Brass |
|--|--|

Working Pressure: 250 psi / 250°F
depending on pipe material.



Designed and Manufactured in
Canada

DO NOT DISMANTLE - SOLDER IN OPEN POSITION

Also available: Loose Key with Screwdriver Slot operation



dahl brothers canada limited

2600 S. SHERIDAN WAY, MISSISSAUGA, ON, CANADA L5J 2M4
905-822-2330 CAN 800-268-5355 U.S. 800-268-2363
FAX(905) 855-1450, USA AND CANADA 800-226-1801
sales@dahlvalve.com www.dahlvalve.com

We reserve the right to alter prices and/or technical details without notice